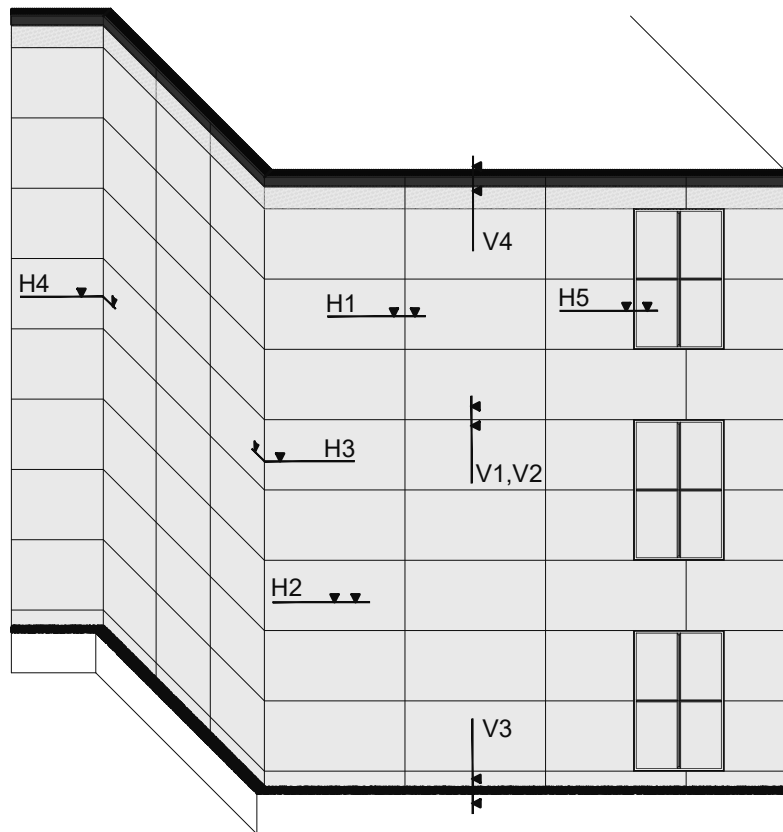


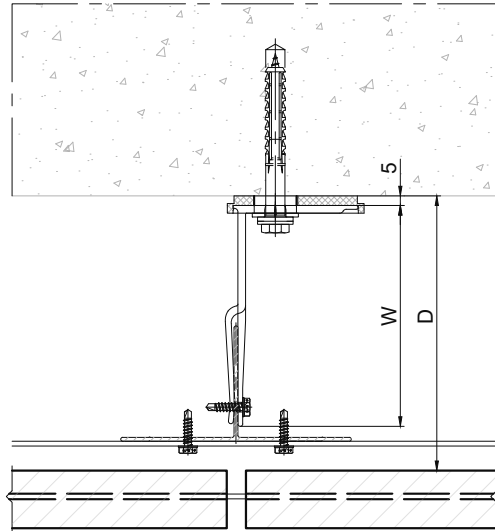


**ALLFACE**  
Smart Fixing Systems

# System F1.23



|  |    |
|--|----|
| Construction depth                         | 2  |
| H1 – Horizontal section of Panel joint     | 3  |
| H2 – Horizontal section of Mid support     | 4  |
| H3 – Horizontal section of External corner | 5  |
| H4 – Horizontal section of Internal corner | 6  |
| H5 – Horizontal section of Window reveal   | 7  |
| V1 – Vertical section of Fixed point       | 8  |
| V2 – Vertical section of Sliding point     | 9  |
| V3 – Vertical section of Bottom ending     | 10 |
| V4 – Vertical section of Top ending        | 11 |



| BRACKET         | DEPTH "W" | DISTANCE "D" |
|-----------------|-----------|--------------|
| F1.035 / F1+035 | 35 mm     | 67 - 95 mm   |
| F1.050 / F1+050 | 50 mm     | 73 - 110 mm  |
| F1.080 / F1+080 | 80 mm     | 103 - 140 mm |
| F1.100 / F1+100 | 100 mm    | 123 - 160 mm |
| F1.115 / F1+115 | 115 mm    | 138 - 175 mm |
| F1.135 / F1+135 | 135 mm    | 158 - 195 mm |
| F1.150 / F1+150 | 150 mm    | 173 - 210 mm |
| F1.170 / F1+170 | 170 mm    | 193 - 230 mm |
| F1.185 / F1+185 | 185 mm    | 208 - 245 mm |
| F1.200 / F1+200 | 200 mm    | 223 - 260 mm |
| F1.220 / F1+220 | 220 mm    | 243 - 280 mm |
| F1.255 / F1+255 | 255 mm    | 278 - 315 mm |
| F1.285 / F1+285 | 285 mm    | 308 - 345 mm |
| F1.320 / F1+320 | 320 mm    | 343 - 380 mm |

