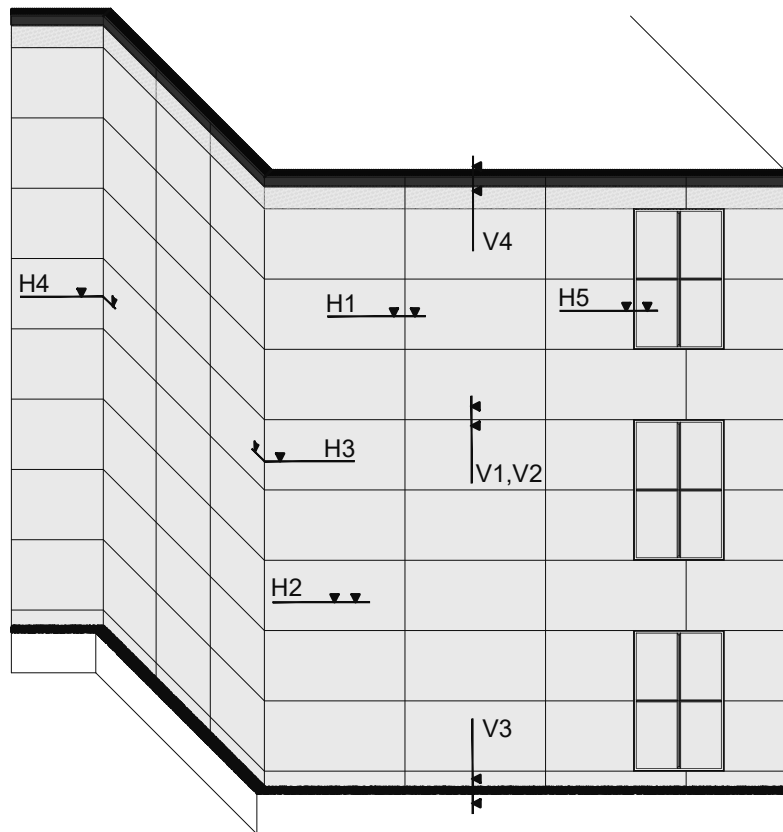


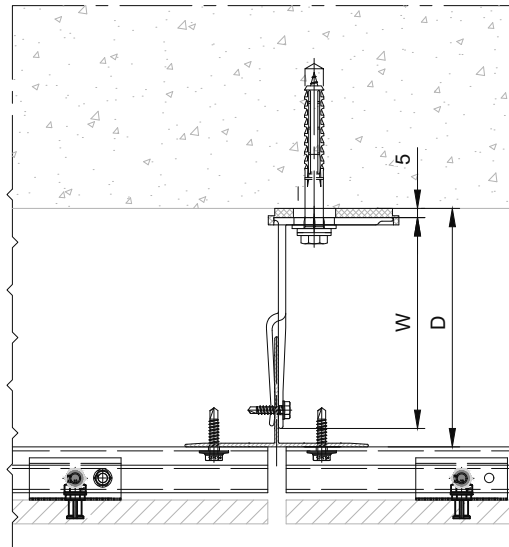


ALLFACE
Smart Fixing Systems

System F1.41



Construction depth	2
H1 – Horizontal section of Panel joint	3
H2 – Horizontal section of Mid support	4
H3 – Horizontal section of External corner	5
H4 – Horizontal section of Internal corner	6
H5 – Horizontal section of Window reveal	7
V1 – Vertical section of Fixed point	8
V2 – Vertical section of Sliding point	9
V3 – Vertical section of Bottom ending	10
V4 – Vertical section of Top ending	11



BRACKET	DEPTH "W"	DISTANCE "D"
F1.035 / F1+035	35 mm	80 - 109 mm
F1.050 / F1+050	50 mm	86 - 124 mm
F1.080 / F1+080	80 mm	116 - 154 mm
F1.100 / F1+100	100 mm	136 - 174 mm
F1.115 / F1+115	115 mm	151 - 189 mm
F1.135 / F1+135	135 mm	171 - 209 mm
F1.150 / F1+150	150 mm	186 - 224 mm
F1.170 / F1+170	170 mm	206 - 244 mm
F1.185 / F1+185	185 mm	221 - 259 mm
F1.200 / F1+200	200 mm	236 - 274 mm
F1.220 / F1+220	220 mm	256 - 294 mm
F1.255 / F1+255	255 mm	291 - 329 mm
F1.285 / F1+285	285 mm	321 - 359 mm
F1.320 / F1+320	320 mm	356 - 394 mm

