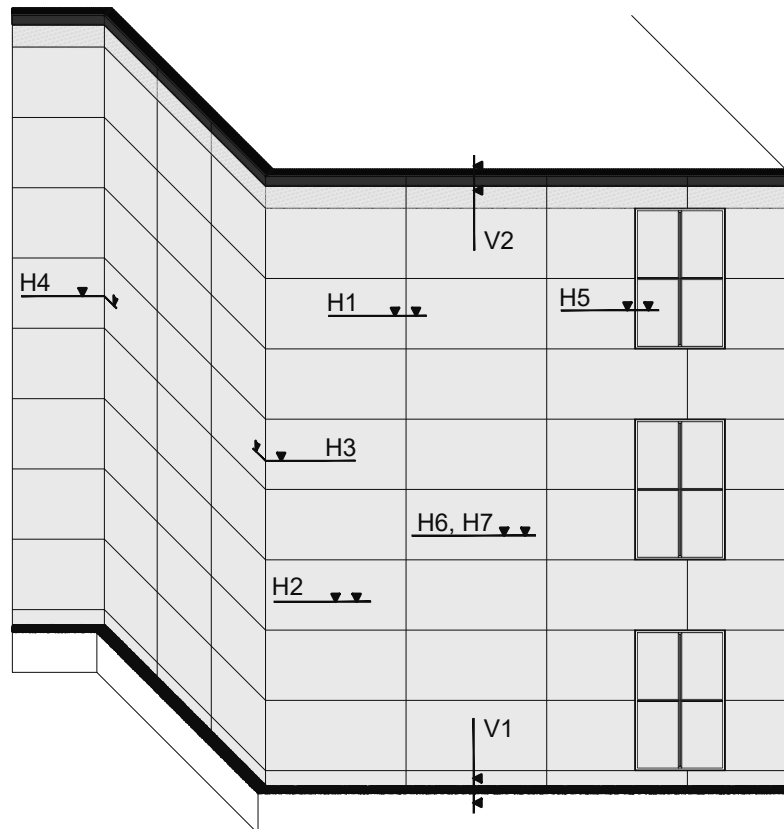


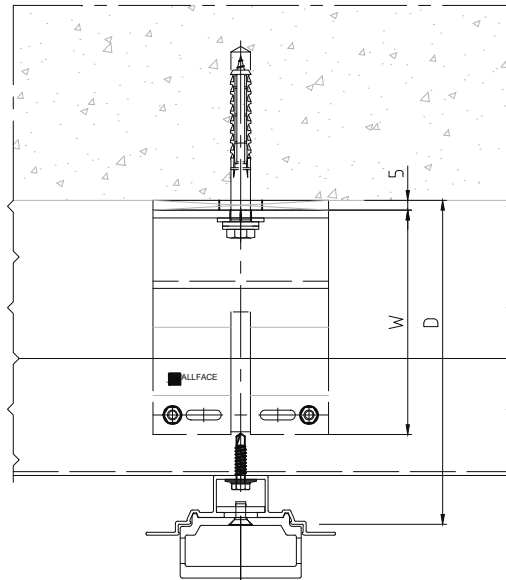


**ALLFACE**  
Smart Fixing Systems

# System F2.59



Construction depth	2
H1 – Horizontal section of Panel joint	3
H2 – Horizontal section of Mid support	4
H3 – Horizontal section of External corner	5
H4 – Horizontal section of Internal corner	6
H5 – Horizontal section of Window reveal	7
H6 – Horizontal section of Fixed point	8
H7 – Horizontal section of Sliding point	9
V1 – Vertical section of Bottom ending	10
V2 – Vertical section of Top ending	11



<b>BRACKET</b>	<b>DEPTH "W"</b>	<b>DISTANCE "D"</b>
F2.035 / F2+035	35 mm	70 - 105 mm
F2.050 / F2+050	50 mm	85 - 120 mm
F2.080 / F2+080	80 mm	115 - 150 mm
F2.100 / F2+100	100 mm	135 - 170 mm
F2.115 / F2+115	115 mm	150 - 185 mm
F2.135 / F2+135	135 mm	170 - 205 mm
F2.150 / F2+150	150 mm	185 - 220 mm
F2.170 / F2+170	170 mm	205 - 240 mm
F2.185 / F2+185	185 mm	220 - 255 mm
F2.200 / F2+200	200 mm	235 - 270 mm
F2.220 / F2+220	220 mm	255 - 290 mm
F2.255 / F2+255	255 mm	292 - 330 mm
F2.285 / F2+285	285 mm	322 - 360 mm
F2.320 / F2+320	320 mm	357 - 395 mm

