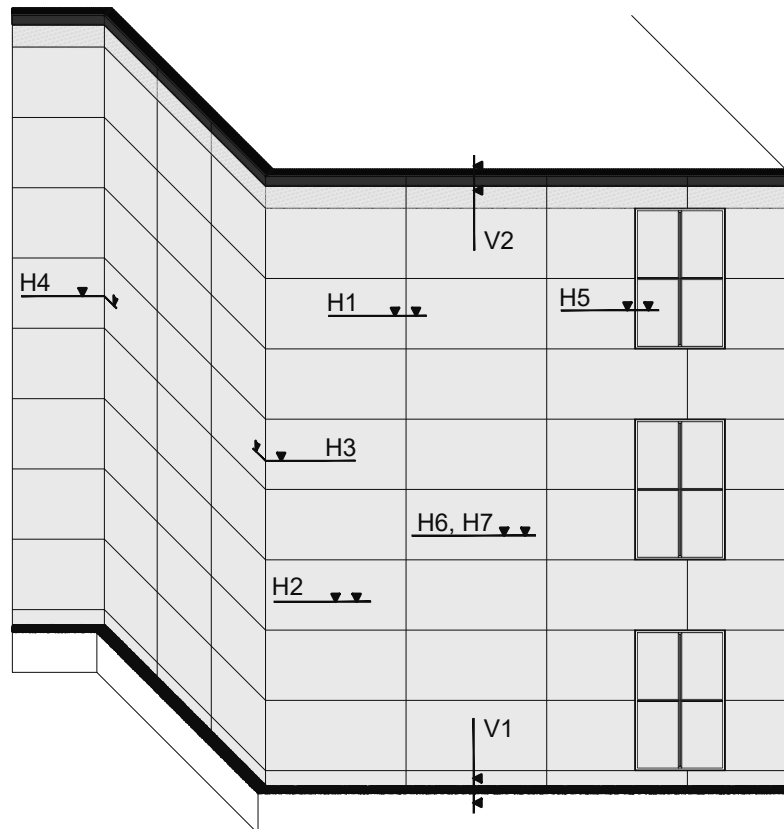


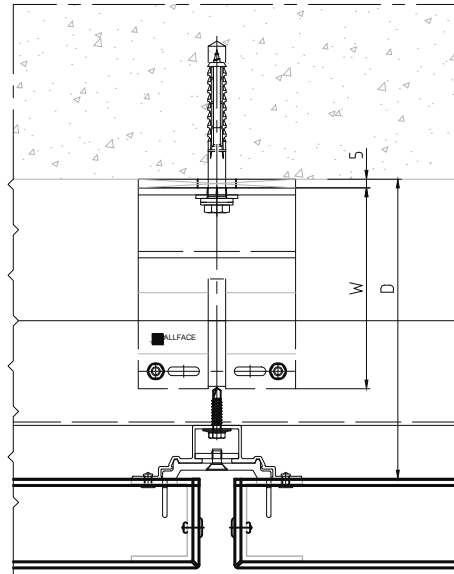


**ALLFACE**  
Smart Fixing Systems

# System F2.59i



Construction depth	2
H1 – Horizontal section of Panel joint	3
H2 – Horizontal section of Mid support	4
H3 – Horizontal section of External corner	5
H4 – Horizontal section of Internal corner	6
H5 – Horizontal section of Window reveal	7
H6 – Horizontal section of Fixed point	8
H7 – Horizontal section of Sliding point	9
V1 – Vertical section of Bottom ending	10
V2 – Vertical section of Top ending	11



BRACKET	DEPTH "W"	DISTANCE "D"
F2.035 / F2+035	35 mm	73 - 113 mm
F2.050 / F2+050	50 mm	88 - 125 mm
F2.080 / F2+080	80 mm	118 - 156 mm
F2.100 / F2+100	100 mm	138 - 176 mm
F2.115 / F2+115	115 mm	153 - 191 mm
F2.135 / F2+135	135 mm	173 - 211 mm
F2.150 / F2+150	150 mm	188 - 226 mm
F2.170 / F2+170	170 mm	208 - 246 mm
F2.185 / F2+185	185 mm	223 - 261 mm
F2.200 / F2+200	200 mm	238 - 276 mm
F2.220 / F2+220	220 mm	258 - 296 mm
F2.255 / F2+255	255 mm	293 - 331 mm
F2.285 / F2+285	285 mm	323 - 361 mm
F2.320 / F2+320	320 mm	358 - 396 mm



